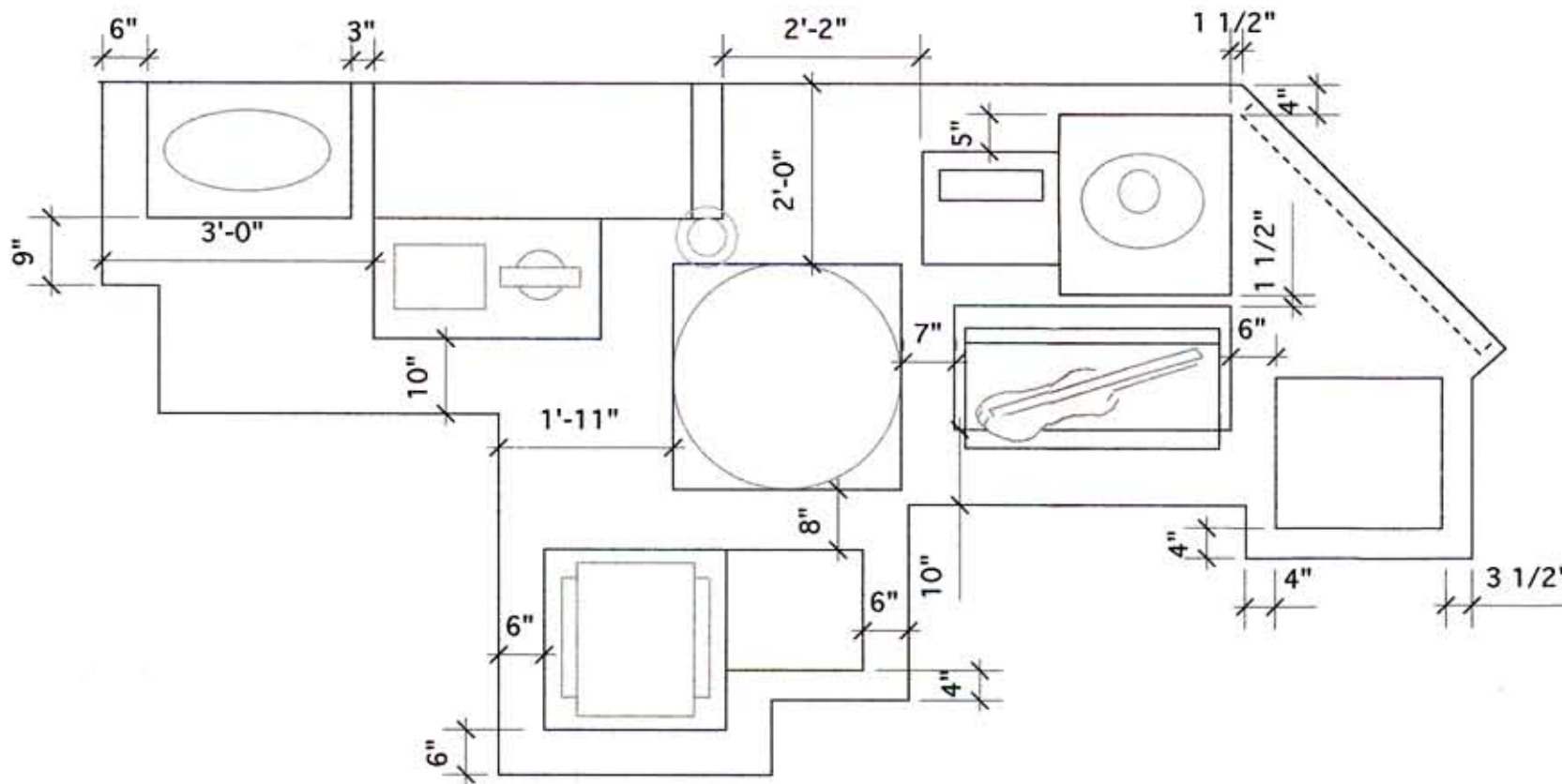


1 platform plan
2.5.1 scale: 1/2" = 1'-0"



2 platform install plan
2.5.1 scale: 1/2" = 1'-0"



HANK GRASSO

PLANNING & DESIGN
INCORPORATED

3104 Jennings Rd
Kensington, MD
20895

301 933 0164
301 962 0312 fax
hankgrasso@aol.com

Memphis Rock'n'Soul

revision 1

revision 2

revision 3

2.5.1 - r/g platform
detail

file name

12/3/99

date

SCALE: 1/2" = 1'-0"

PLATE #

2.5.1