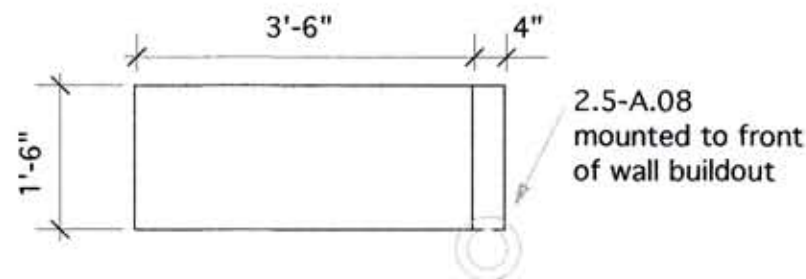
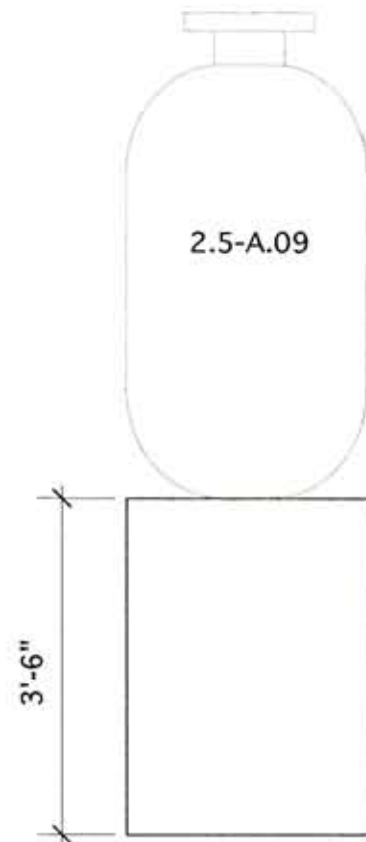


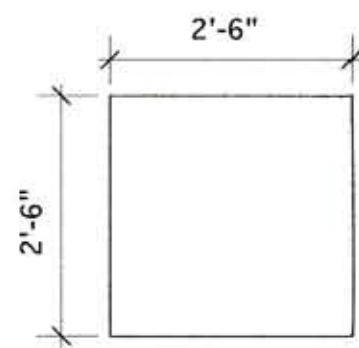
1 elevation, 2.5-LP.02 & wall buildout
2.5.3 scale: 1/2" = 1'-0"



2 plan, wall buildout
2.5.3 scale: 1/2" = 1'-0"

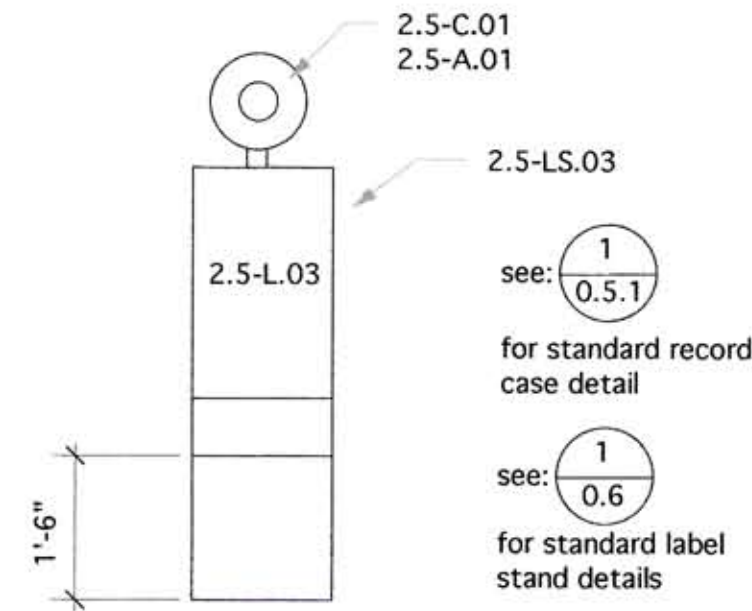


3 elevation, pedestal 2.5-P.01
2.5.3 scale: 1/2" = 1'-0"

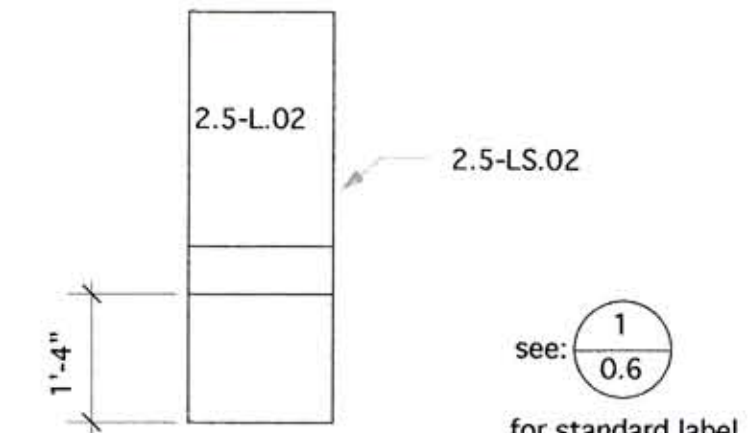


4 plan, pedestal 2.5-P.01
2.5.3 scale: 1/2" = 1'-0"

note: 2.5-A.01 is probably very heavy. please field verify weight and dimensions



5 elevation, 2.5-LS.03
2.5.3 scale: 1/2" = 1'-0"



6 elevation, 2.5-LS.02
2.5.3 scale: 1/2" = 1'-0"

HANK GRASSO
PLANNING & DESIGN INCORPORATED
3104 Jennings Rd
Kensington, MD
20895
301 933 0164
301 962 0312 fax
hankgrasso@aol.com

Memphis
Rock'n'Soul

revision 1
revision 2
revision 3

2.5.3 - rural
music detail
file name
10/27/99
date

SCALE: 1/4" = 1'-0"

PLATE #
2.5.3