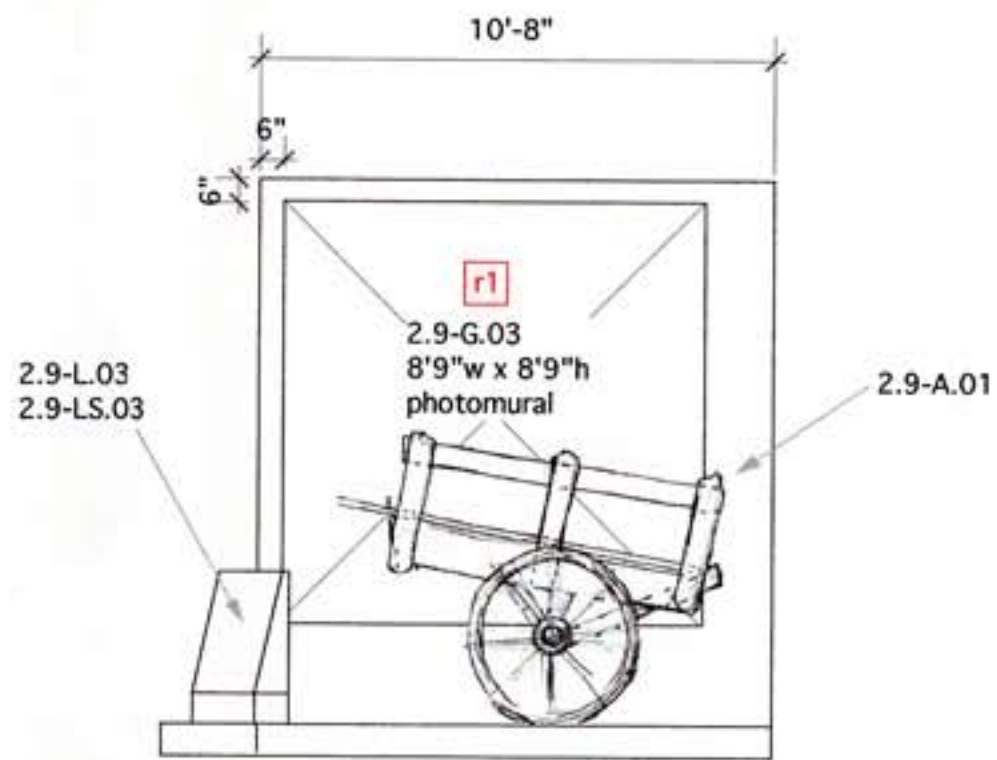
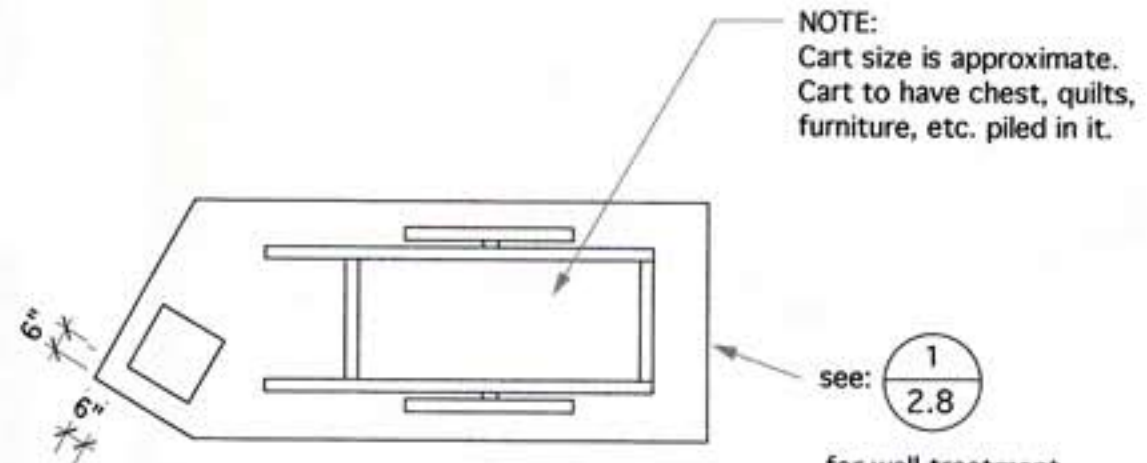


1 elevation, rear of cabin wall
2.9 scale: 1/4" = 1'-0"



1 elevation, cart platform
2.9 scale: 1/4" = 1'-0"



1 plan, cart platform
2.9 scale: 1/4" = 1'-0"



PLANNING & DESIGN
INCORPORATED

3104 Jennings Rd
Kensington, MD
20895

301 933 0164
301 962 0312 fax
HANKGRASSO@AOL.COM

Memphis Rock'n'Soul

photomurals
added: 12/14
revision 1

revision 2

revision 3

2.9 - cart platform
file name

10/28/99
date

SCALE: 1/4" = 1'-0"

PLATE #

2.9